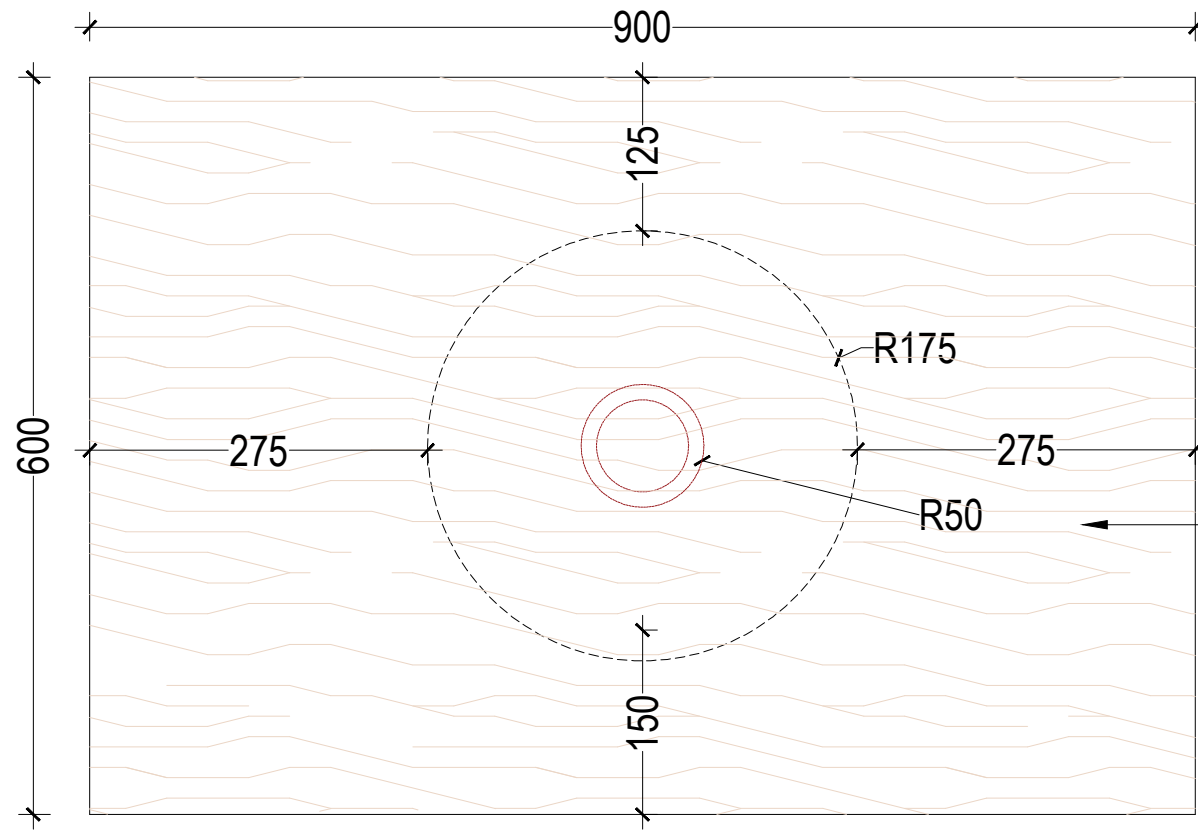


ITEM CODE: LF - 19)

PROTOTYPE NO. OF PIECES - 01)

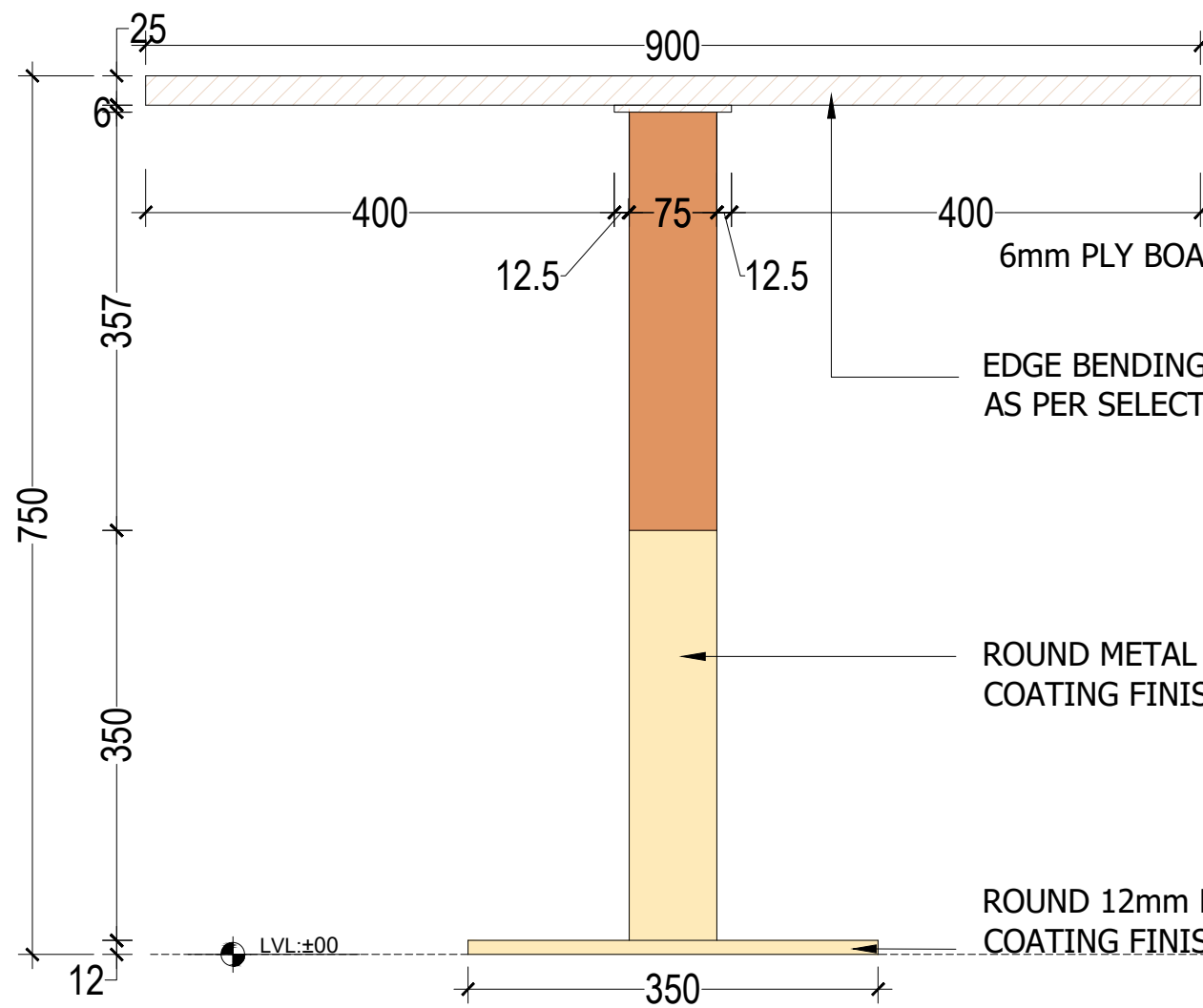


TOP VIEW

LAMINATE FINISH OVER PLYBOARD
 (LA-02)- FINISH MATT
 CODE - 1035 -N (OAK WOOD LIGHT)
 FINISH AS PER SELECTION



REFERENCE IMAGE ONLY



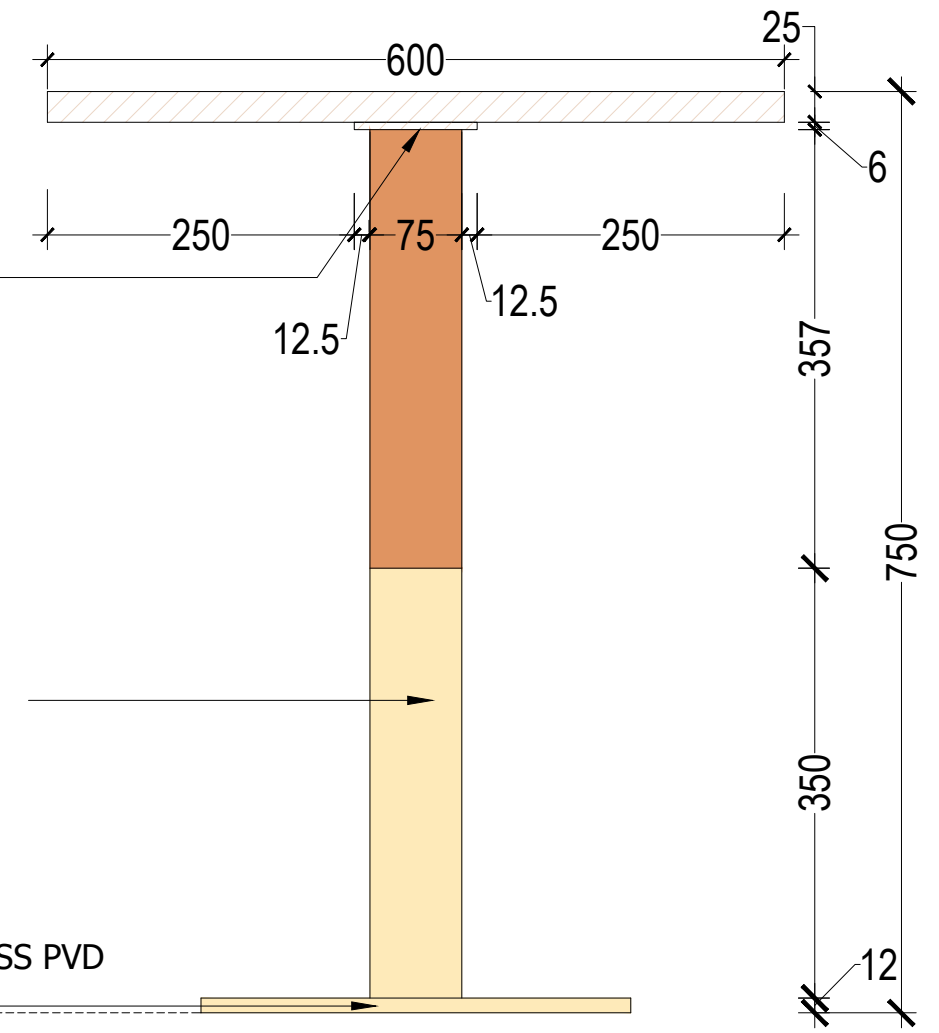
FRONT ELEVATION

6mm PLY BOARD FOR SUPPORT TABLE TOP

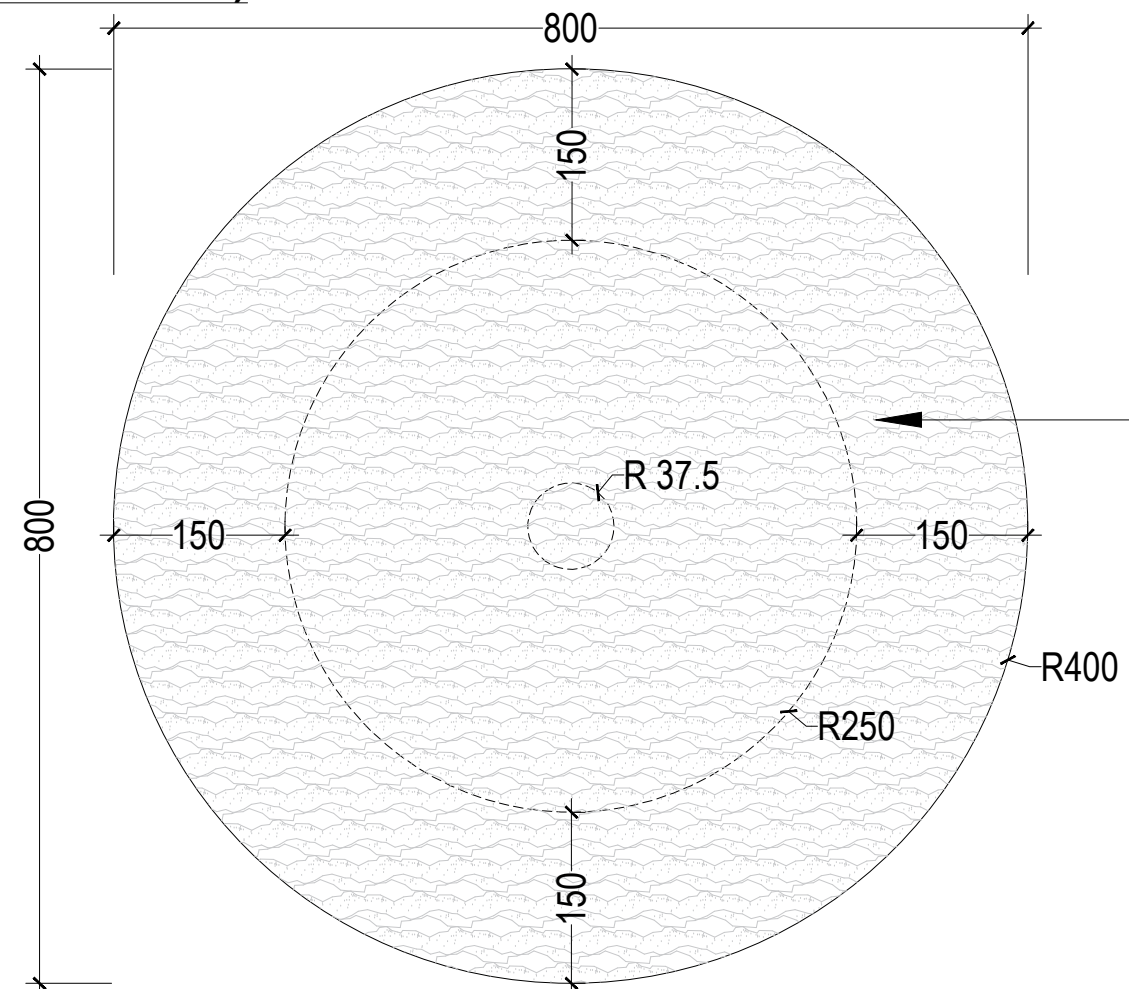
EDGE BENDING MATCHING WITH PLYBOARD AS PER SELECTION

ROUND METAL LEG WITH ANTIQUE BRASS PVD COATING FINISH AS PER SELECTION

ROUND 12mm METAL LEG WITH ANTIQUE BRASS PVD COATING FINISH AS PER SELECTION



SIDE ELEVATION

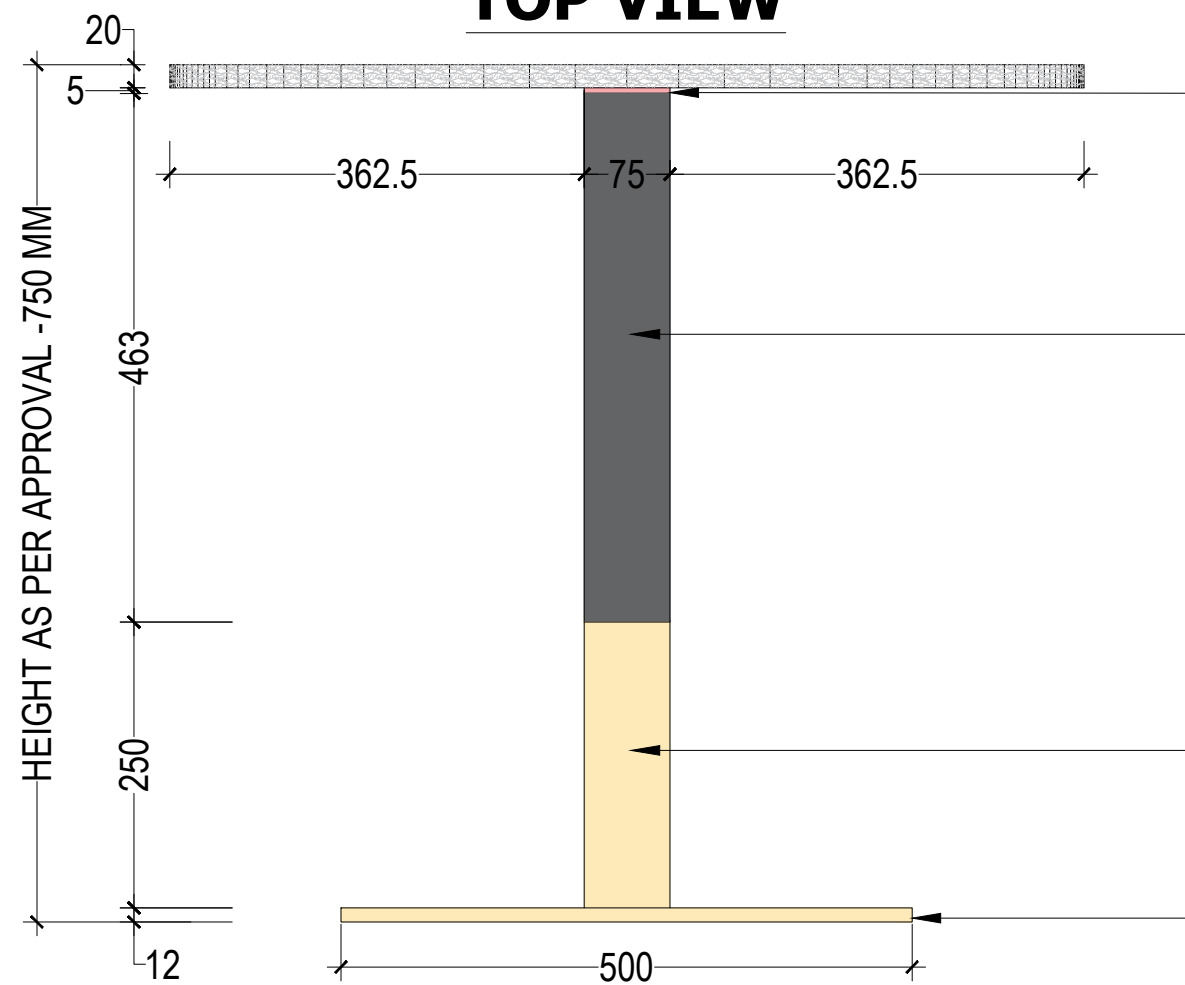


ST-03_TOP - 20mm THK. GREY
STONE FINISH AS PER SELECTION



REFERENCE IMAGE ONLY

TOP VIEW



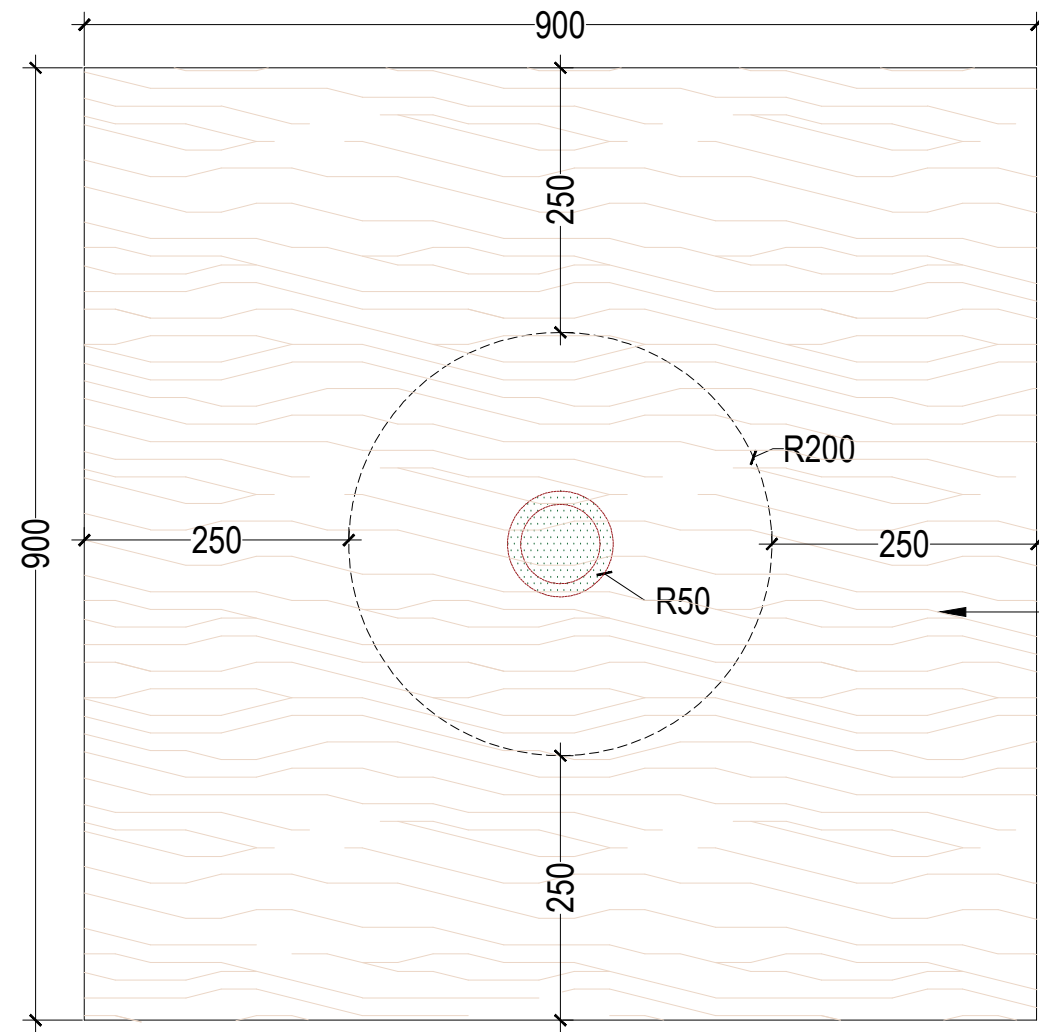
5mm SPACE FOR BUFFER BETWEEN STONE
TOP & SS LEG AS PER SELECTION

PT-8_METAL ROUND LEG WITH BLACK
MATT PAINT
CODE - RAL-9011 GRAPHITE BLACK
AS PER SELECTION

PT - 9_METAL ROUND LEG_DULL
GOLDEN PVD COATING AS PER SELECTION

PT- 9_BOTTOM ROUND PLATE 12 MM THK.
AS PER APPROVAL

FRONT ELEVATION

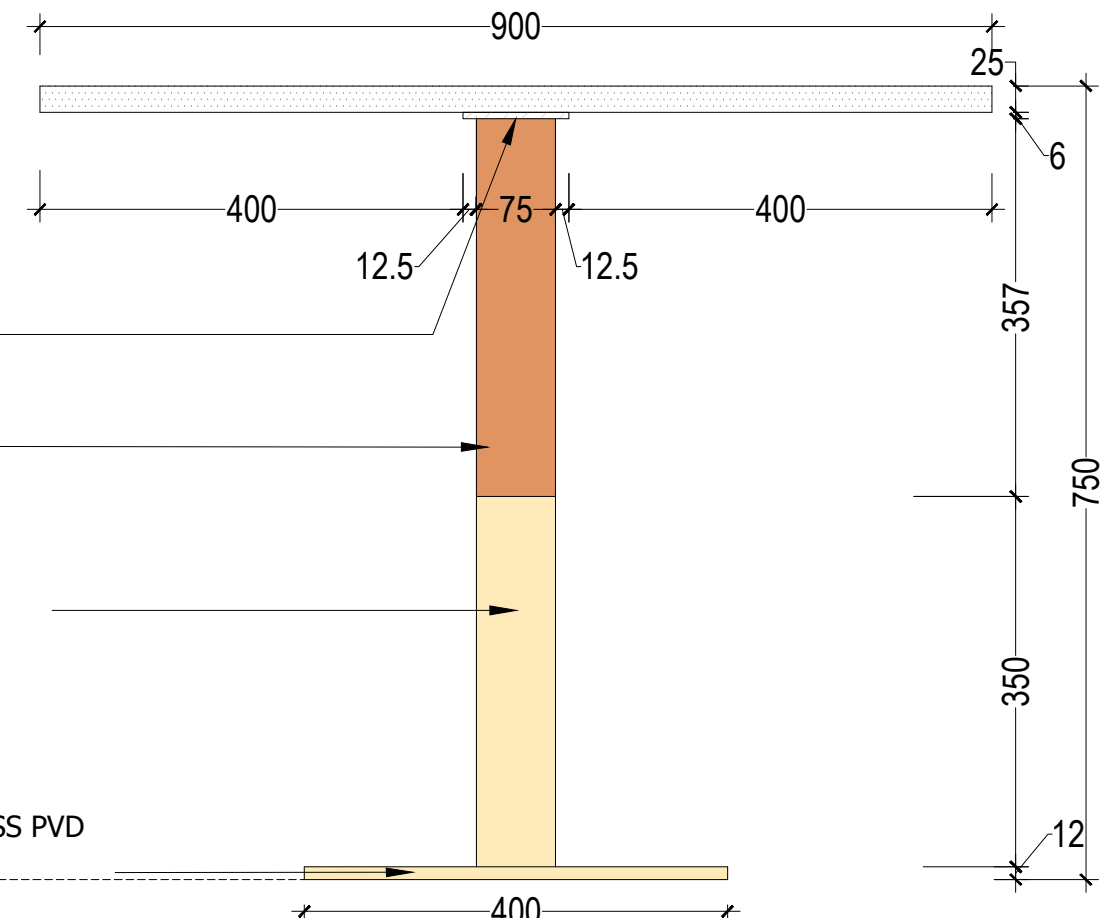
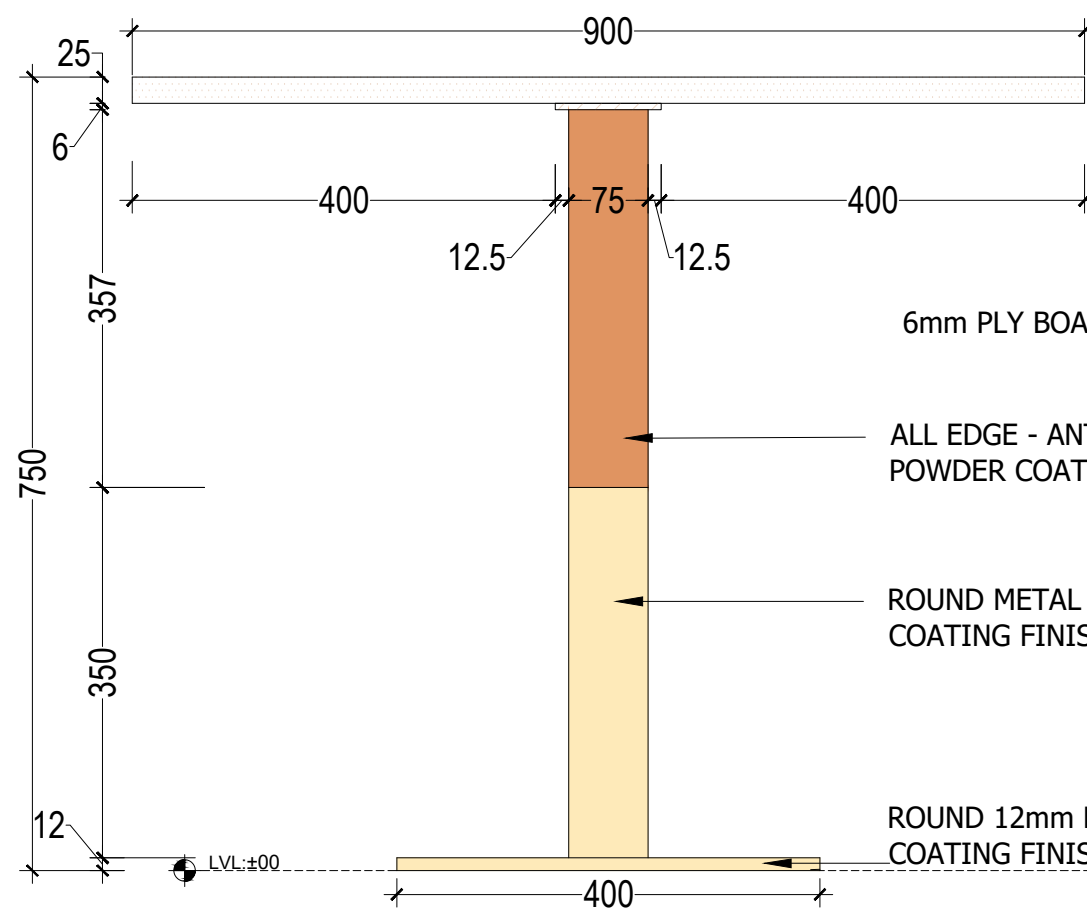


TOP GREY STONE (ST-03) FINISH AS PER SELECTION



TOP VIEW

REFERENCE IMAGE ONLY



6mm PLY BOARD FOR SUPPORT TABLE TOP

ALL EDGE - ANTIQUE BRASS POWDER COATING OVER MS

ROUND METAL LEG WITH ANTIQUE BRASS PVD COATING FINISH AS PER SELECTION

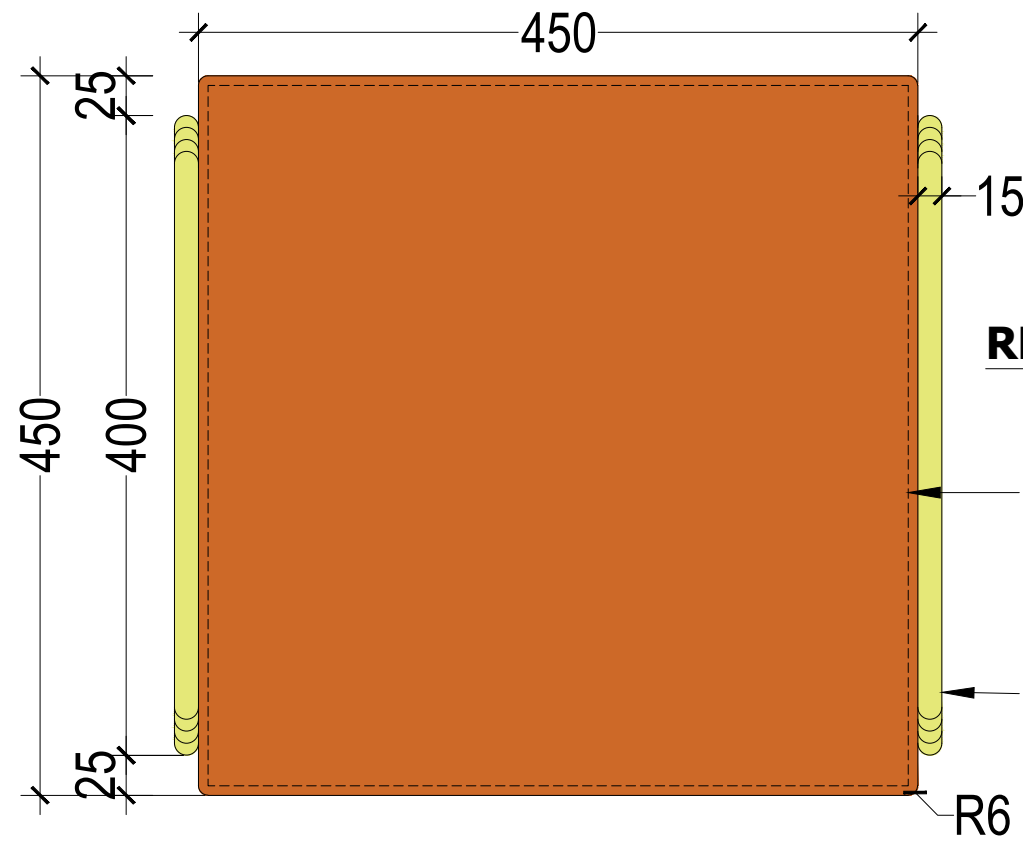
ROUND 12mm METAL LEG WITH ANTIQUE BRASS PVD COATING FINISH AS PER SELECTION

FRONT ELEVATION

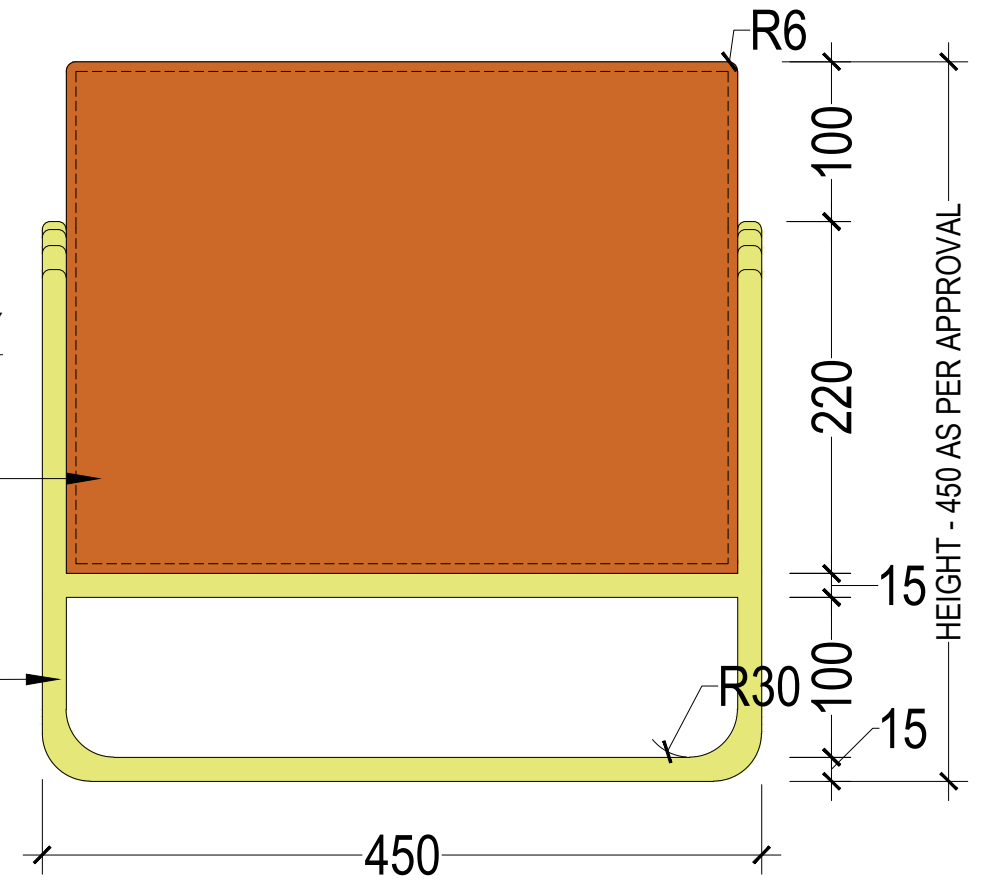
SIDE ELEVATION



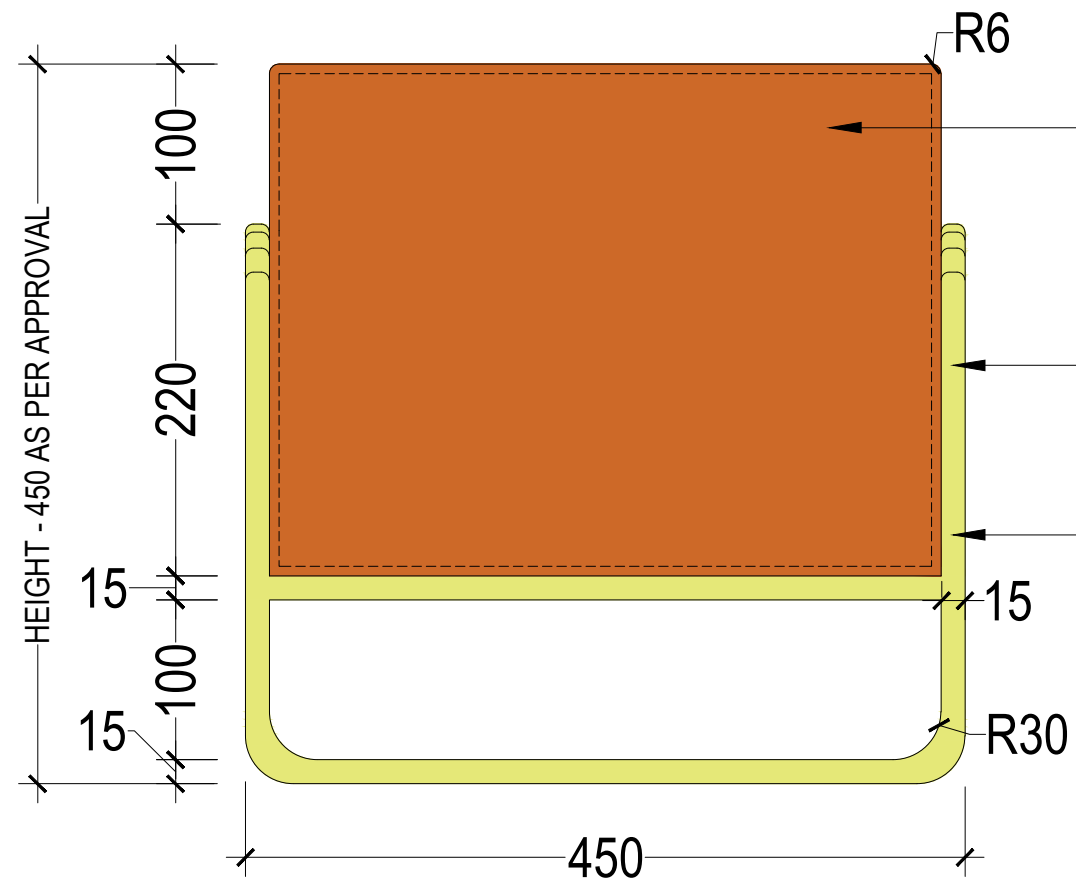
REFERENCE IMAGE ONLY



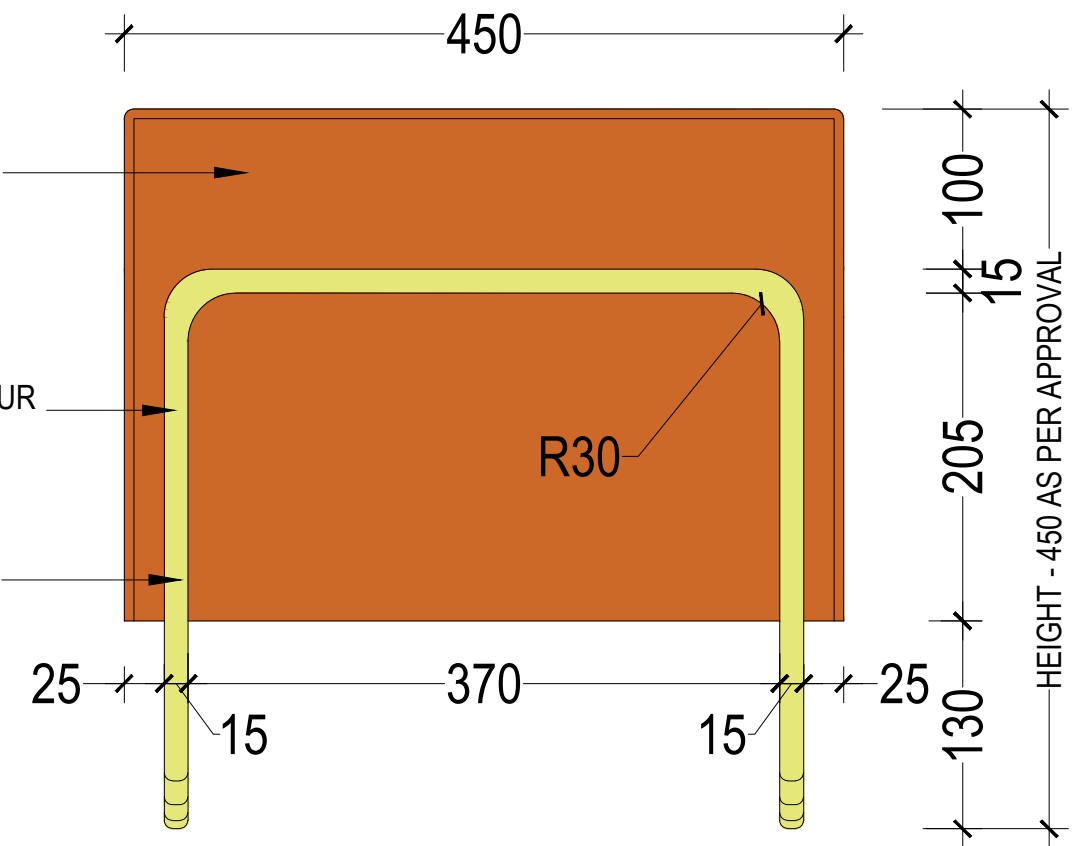
TOP VIEW



FRONT VIEW



REAR VIEW



SIDE VIEW

SF - 7_ALL THE EDGES FINISH WITH THE CORD DORI PIPING 5MM THK.

PT - 9_FINISH WITH GOLD COLOUR AS PER SELECTION

SF - 7_TERRACOTTA LEATHER CORD DORI PIPING, 5MM THICK AS PER SELECTION

PT - 9_FINISH WITH GOLD COLOUR AS PER SELECTION

LEG -METAL LEG 15MM THK. ROUND PIPE WITH DULL GOLD PVD COATING AS PER SELECTION

ITEM CODE: LF - 16)

PROTOTYPE NO. OF PIECES - 01)



Interior Designer:
 BALANCE BY FDS
 904-905, 9TH FLOOR, PARAS TRINITY,
 SECTOR-63
 GURUGRAM-122002, HARYANA
 TELEPHONE:-91-124-4541600
 EMAIL:- admin@formsdesign.in
 WEB SITE:-WWW.FORMSDESIGN.IN

Architects & Planners :
 Hospitality solutions
 73-A/A, Sukhdev Vihar, New Delhi 110025

FACILITY CONSULTANT
 Hospitality solutions
 73-A/A, Sukhdev Vihar, New Delhi 110025

MEP CONSULTANT
 One Design & Consultants
 7/8, NEHRU ENCLAVE, KALKAJI EXT. New Delhi-110019 (India)

IT/AV CONSULTANT
 Ask Consultants India
 F-5, Pankaj Central Market, I.P.Extension, Patparganj,
 Delhi, 110092

OPERATOR
 Wyndham Hotels and Resorts
 1, Bani, Sector 56, Gurugram, Ghata, Haryana 122011

- LEGEND/NOTES**
1. ALL THE DIMENSIONS ARE IN MM UNLESS SPECIFIED OTHERWISE.
 2. DO NOT SCALE THE DRAWINGS. PRINT ONLY ON SPECIFIED SHEET SIZE.
 3. FOR ANY DISCREPANCIES, CONTACT ARCHITECTS/INTERIOR DESIGNER IMMEDIATELY.

PROJECT NAME:
RAMADA BY WYNDHAM KARNAL

AREA / DRAWING TITLE:
GROUND FLOOR PUBLIC AREA

FURNITURE- BAR AREA COFFEE TABLE

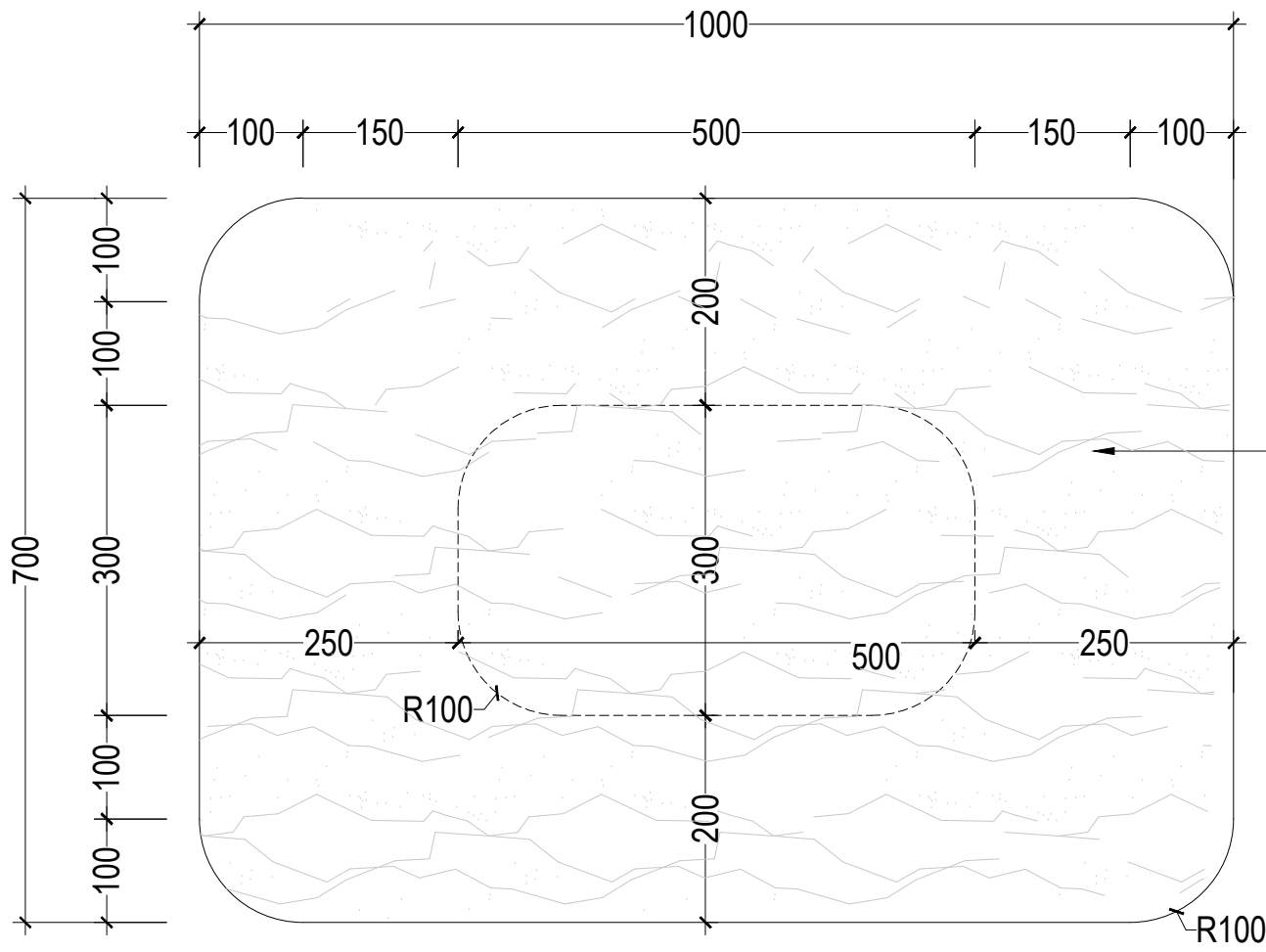
REVISION

NO.	DESCRIPTION	BY / DATE

Drawn by: SNA Scale:

Issued Date: 17.01.2026

Drawing no. SNA_RAM_FUR_LF_16 Rev. 00

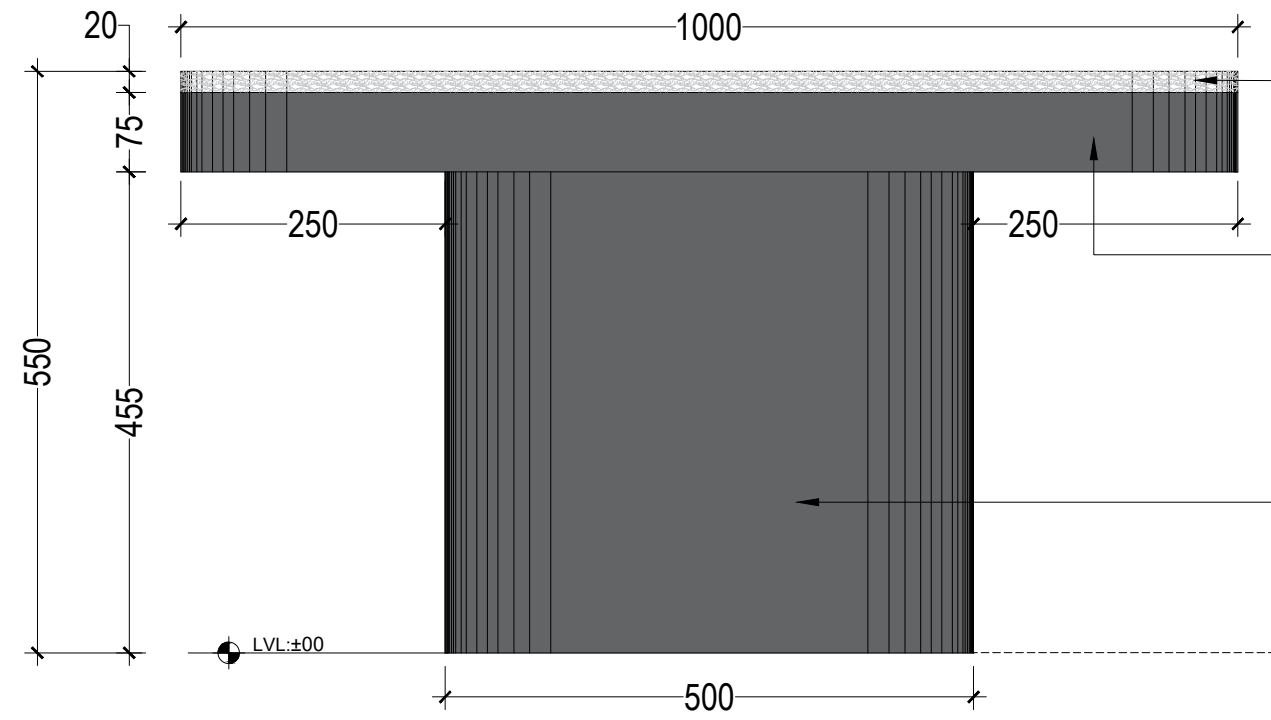


ST-03_TOP - 20mm THK. GREY STONE FINISH AS PER SELECTION

TOP VIEW



REFERENCE IMAGE ONLY

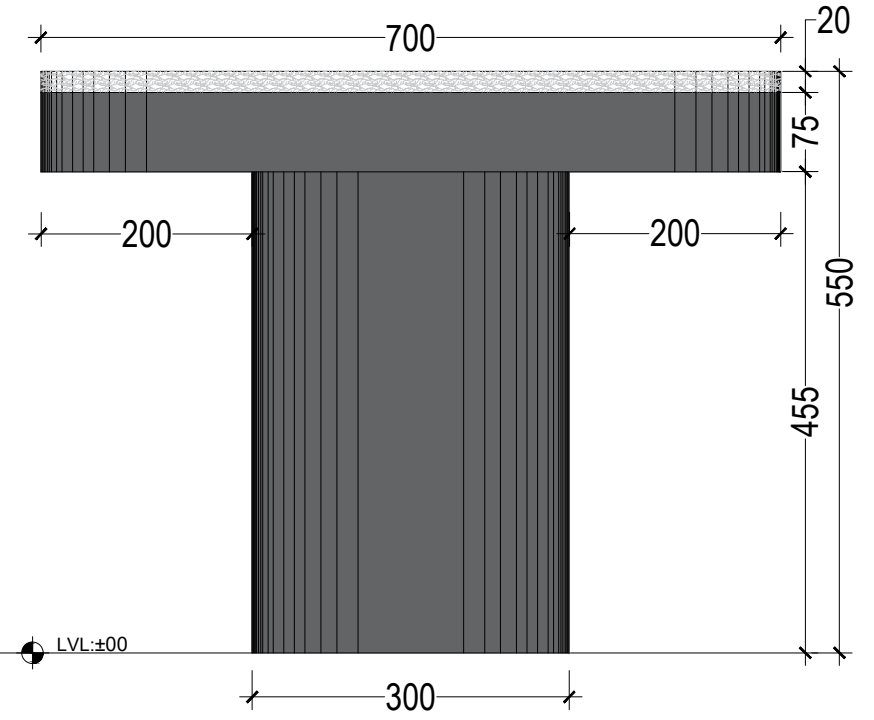


ST-03_TOP - 20mm THK. GREY STONE FINISH AS PER SELECTION

METAL WITH BLACK PVD AS PER SELECTION

LEG - METAL PVD BLACK AS PER SELECTION

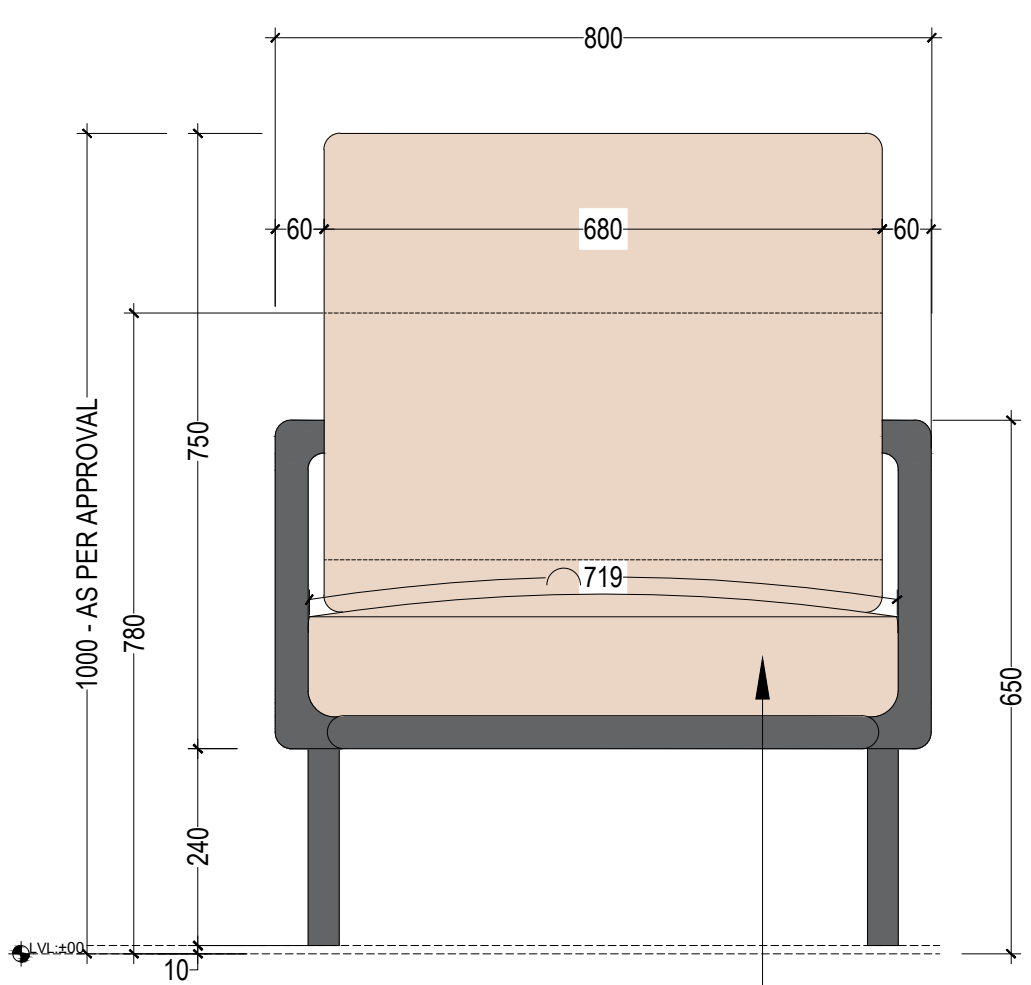
FRONT VIEW



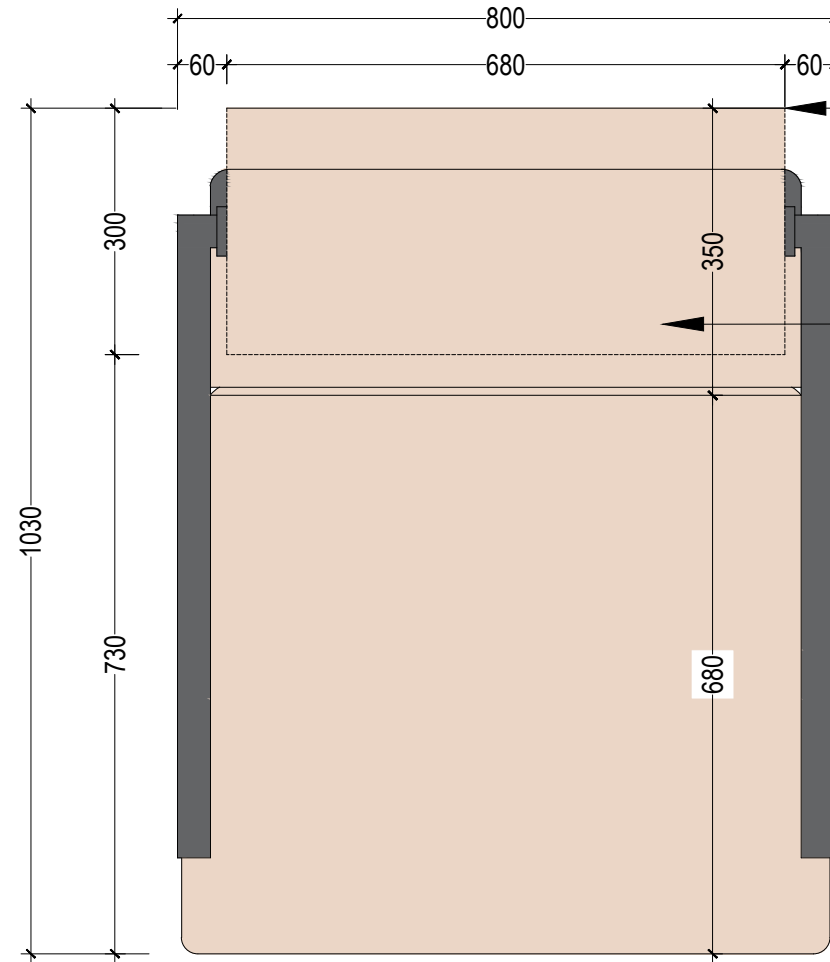
SIDE VIEW

ITEM CODE: LF - 01)

PROTOTYPE NO. OF PIECES - 01)



FRONT VIEW



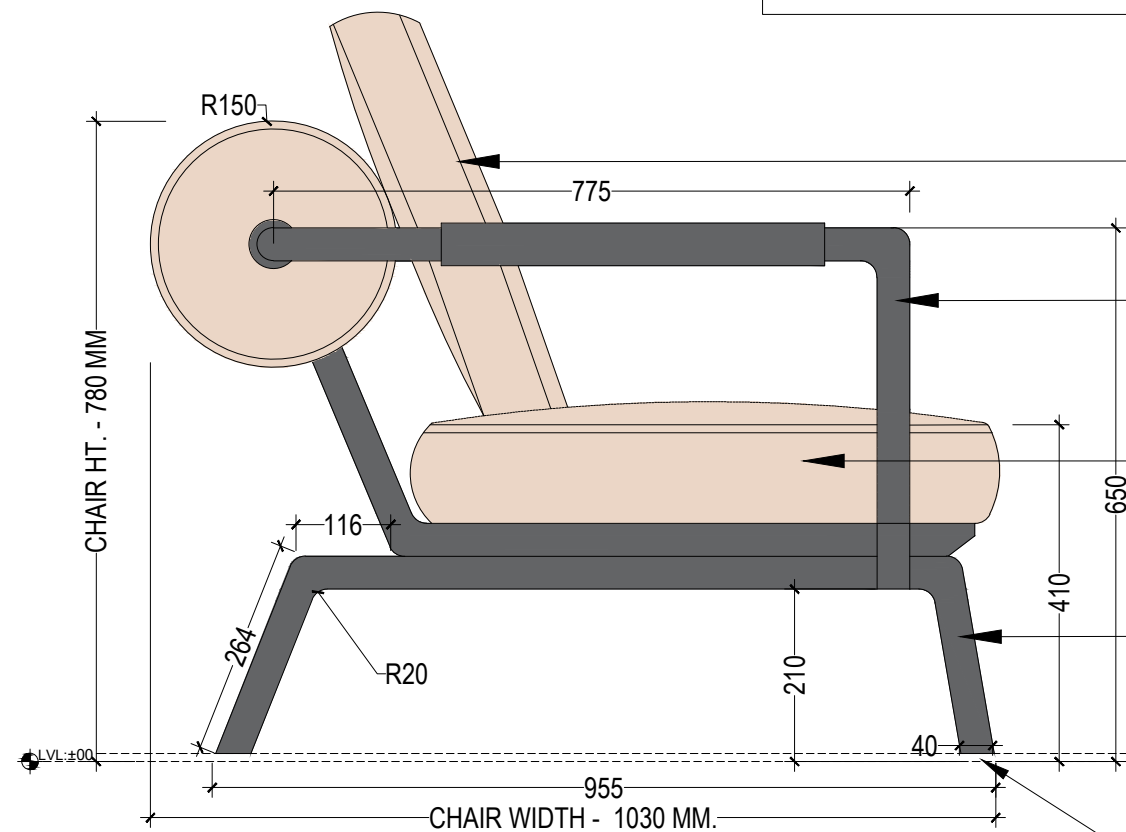
TOP VIEW

ALL THE EDGES FINISH WITH THE CORD DORI PIPING 5MM THK.

GREY LOOSE FABRIC 100% POLYESTER QUILTED DESIGN AS PER APPROVAL (SF - 05)



REFERENCE IMAGE ONLY



SIDE VIEW

GREY LOOSE FABRIC 100% POLYESTER QUILTED DESIGN AS PER APPROVAL (SF - 05)

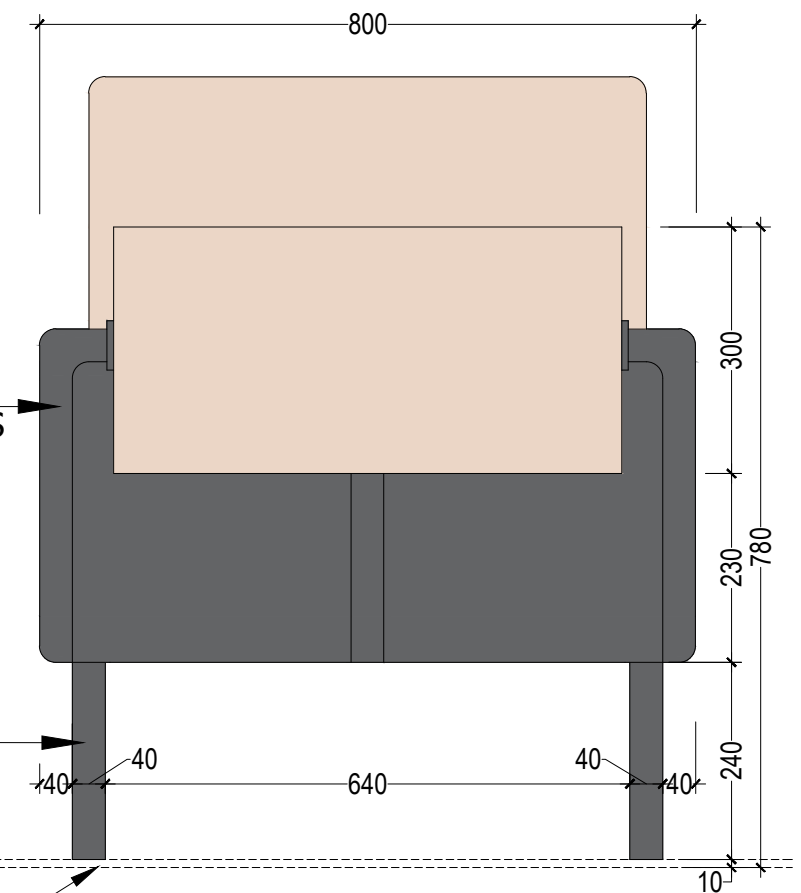
CUSHIONED SEAT/BACKREST AS PER SELECTION

ARM & LEG DIA. - 40 MM PVD COATING IN BLACK COLOR - BLACK MATT PAINT RAL - 9011 (PT-08) AS PER APPROVAL

GREY LOOSE FABRIC 100% POLYESTER QUILTED DESIGN AS PER APPROVAL (SF - 05)

40MM THICK. METAL LEGS WITH PVD COATING IN BLACK COLOR - BLACK MATT PAINT RAL - 9011 (PT-08) AS PER APPROVAL

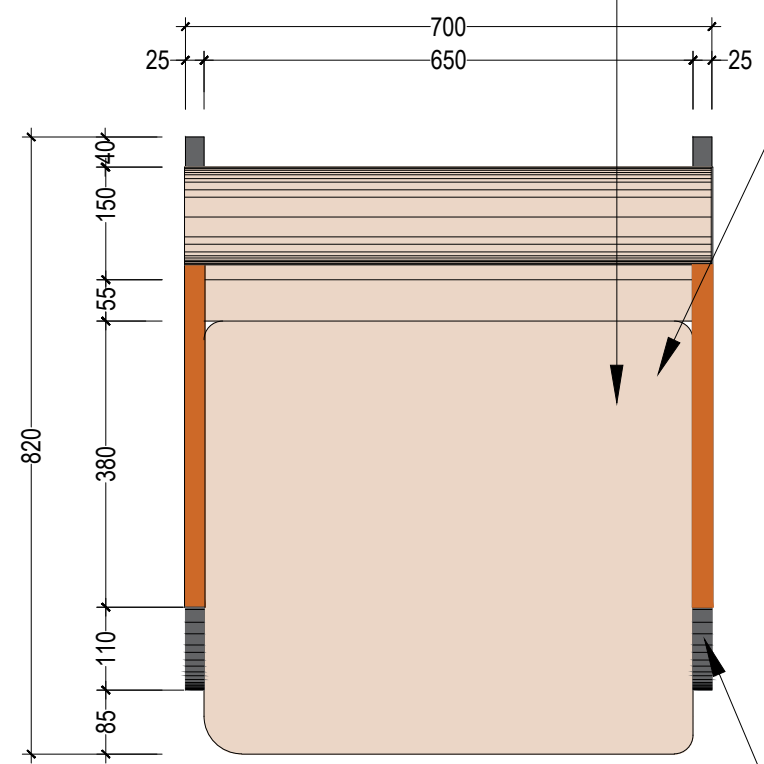
10 MM SPACE FOR BUFFER



REAR VIEW

ITEM CODE: LF - 06)

PROTOTYPE NO. OF PIECES - 01)

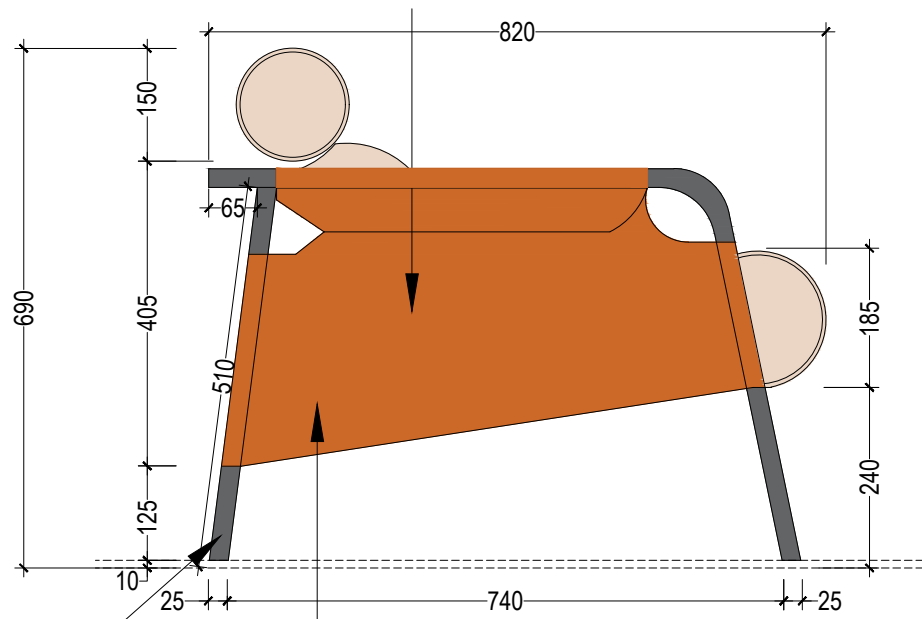


TOP VIEW

(SF-08) BEIGE LOOSE FURNITURE LEATHER_ NFFPA 701 PASS_ FINISH AS PER SELECTION

ALL THE EDGES FINISH WITH THE CORD DORI PIPING 5MM THK.

(SF-07) TERRACOTTA LEATHER AS PER SELECTION



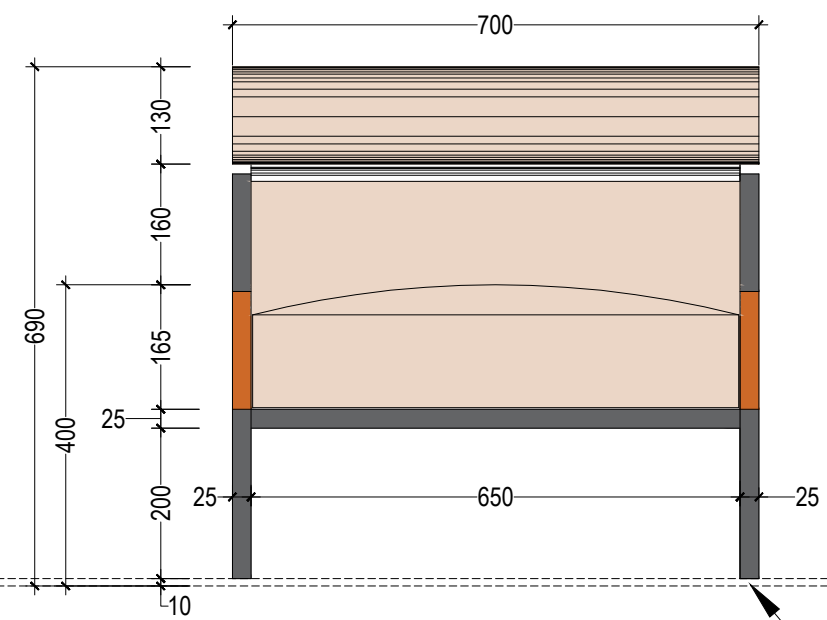
SIDE ELEVATION



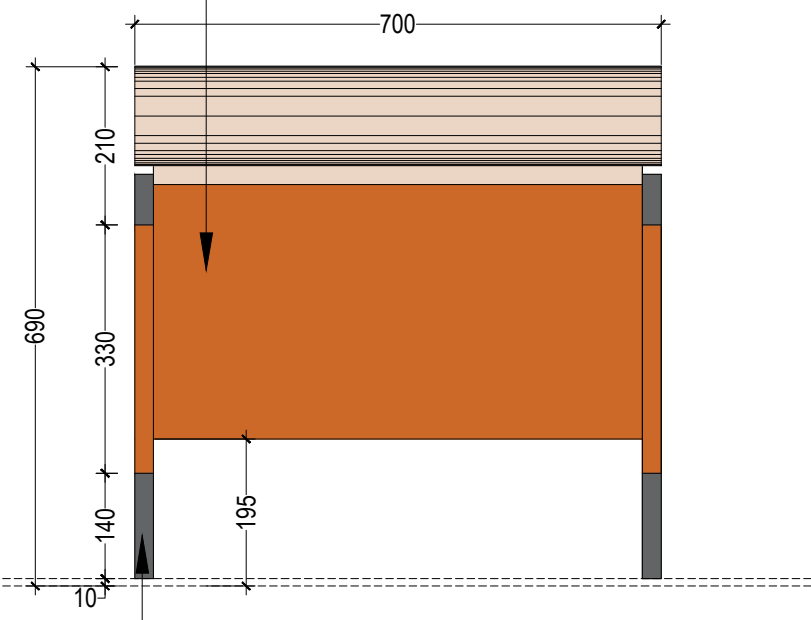
REFERENCE IMAGE ONLY

ARM & LEG DIA. - 25 MM .

(SF-07) TERRACOTTA LEATHER AS PER SELECTION



FRONT ELEVATION



REAR ELEVATION

METAL LEGS & ARM WITH BLACK MATT PAINT (PT-08) CODE - RAL - 9011 AS PER SELECTION

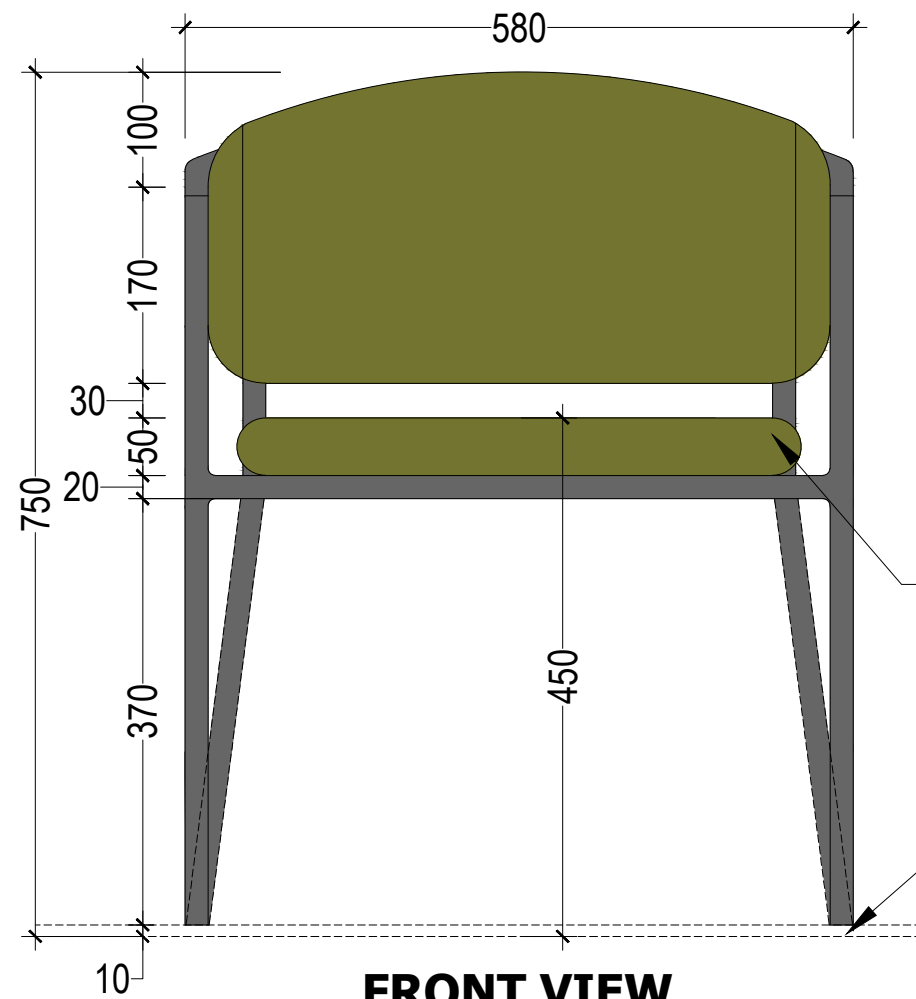
10 MM SPACE FOR BUFFER



REFERENCE IMAGE ONLY

ITEM CODE: LF - 23)

PROTOTYPE NO. OF PIECES - 01)



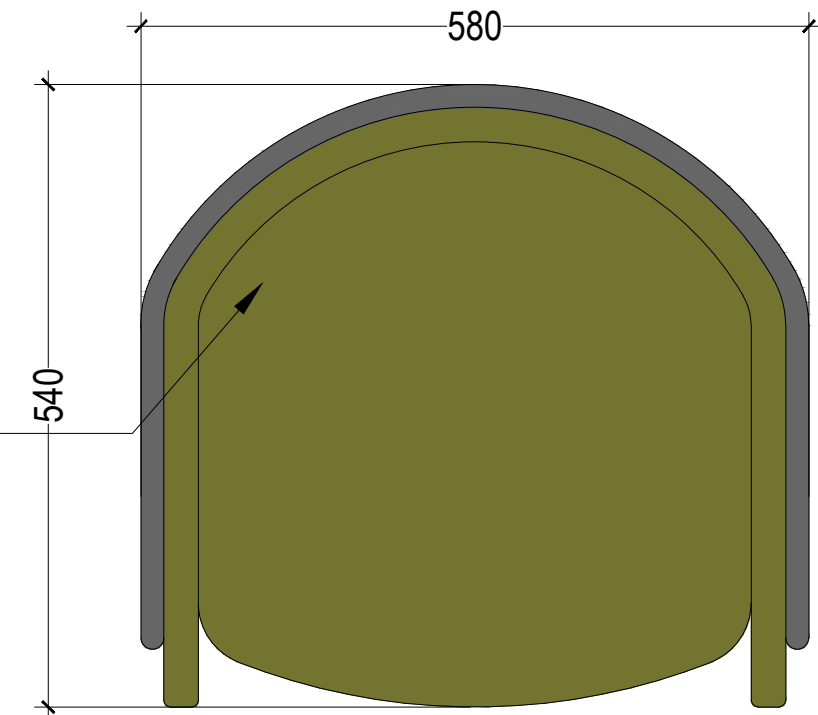
FRONT VIEW



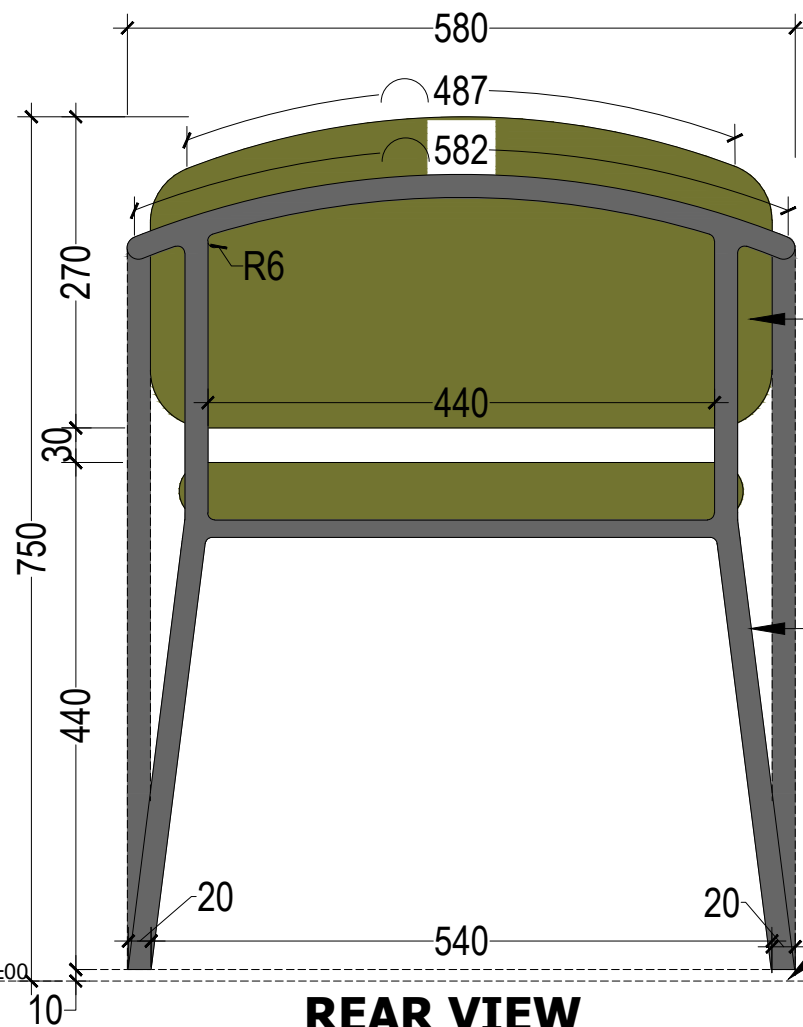
REFERENCE IMAGE ONLY

SEAT SF - 09_CODE - 911
DESIGN KENZI
AS PER SELECTION

10MM SPACE FOR BUFFER



TOP VIEW

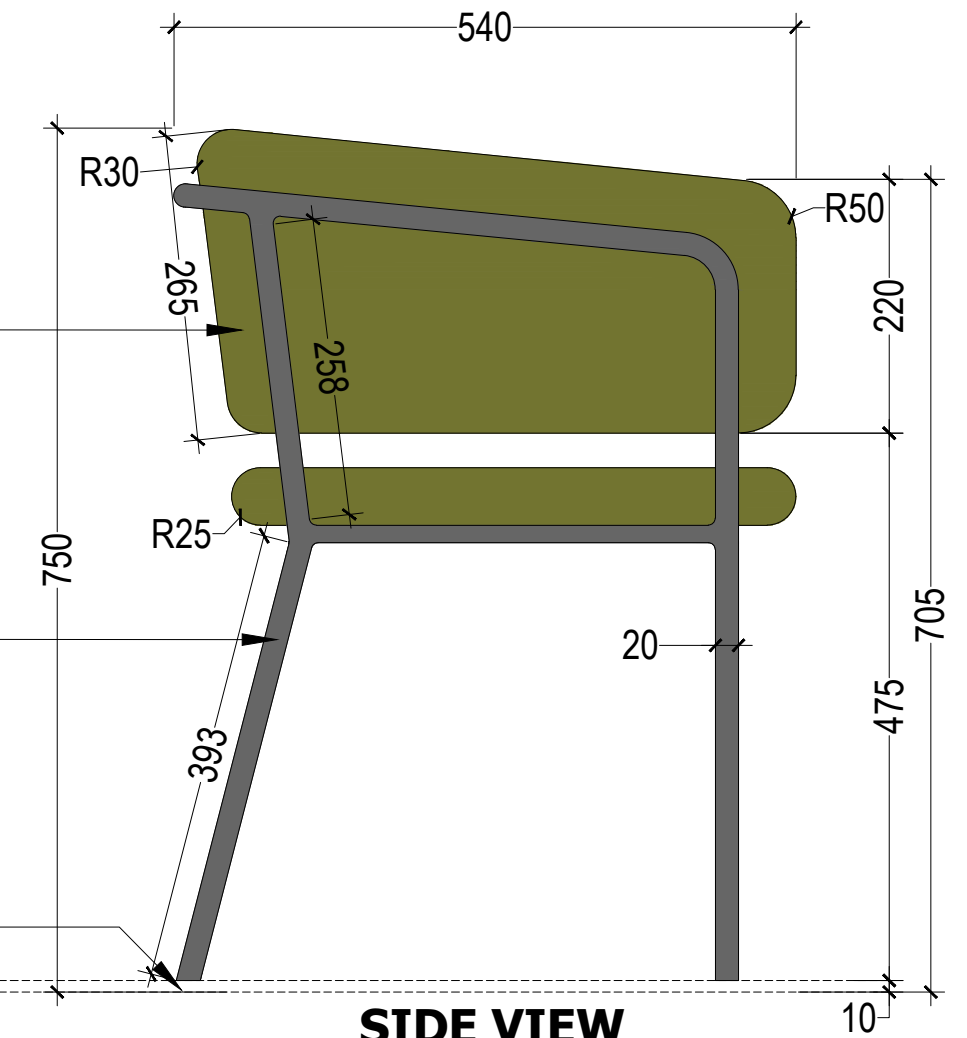


REAR VIEW

BACK SF - 09_CODE - 911
DESIGN KENZI
AS PER SELECTION

LEG - 20MM ROUND METAL LEGS
WITH BLACK MATT PAINT RAL - 9011
(PT-08)COLOR PVD COATING
AS PER SELECTION

10MM SPACE FOR BUFFER



SIDE VIEW

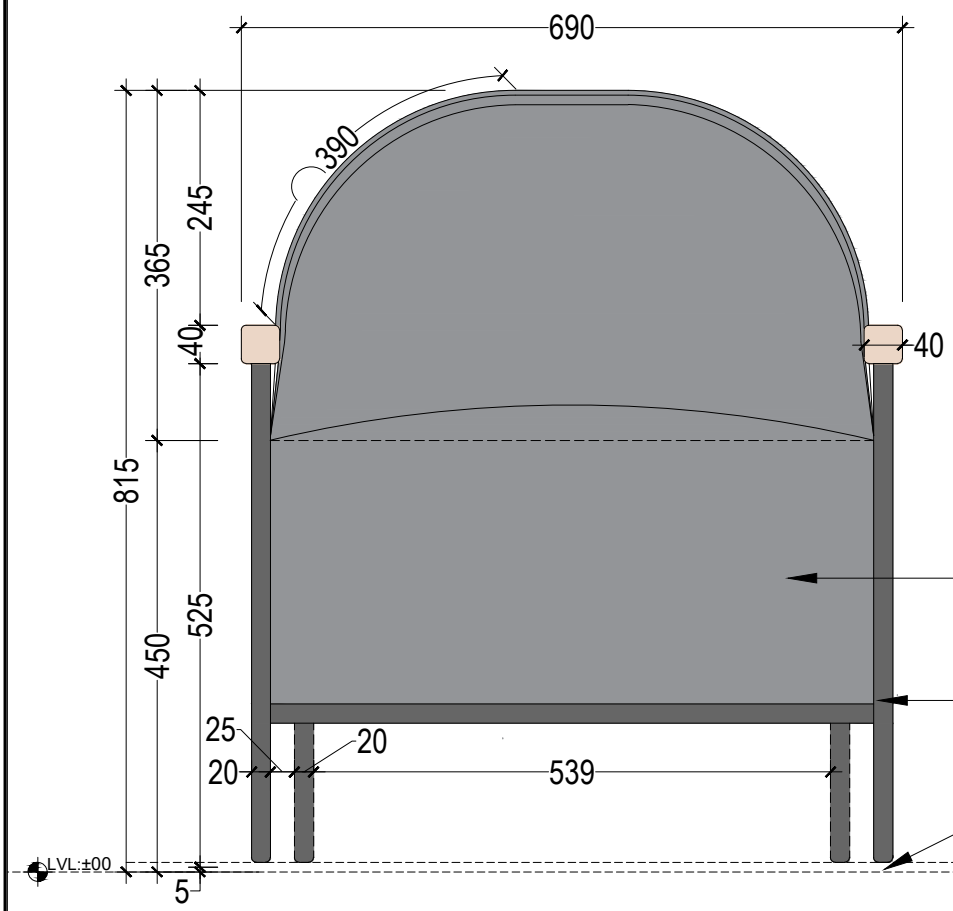
LVL:±00

ITEM CODE: LF - 24)

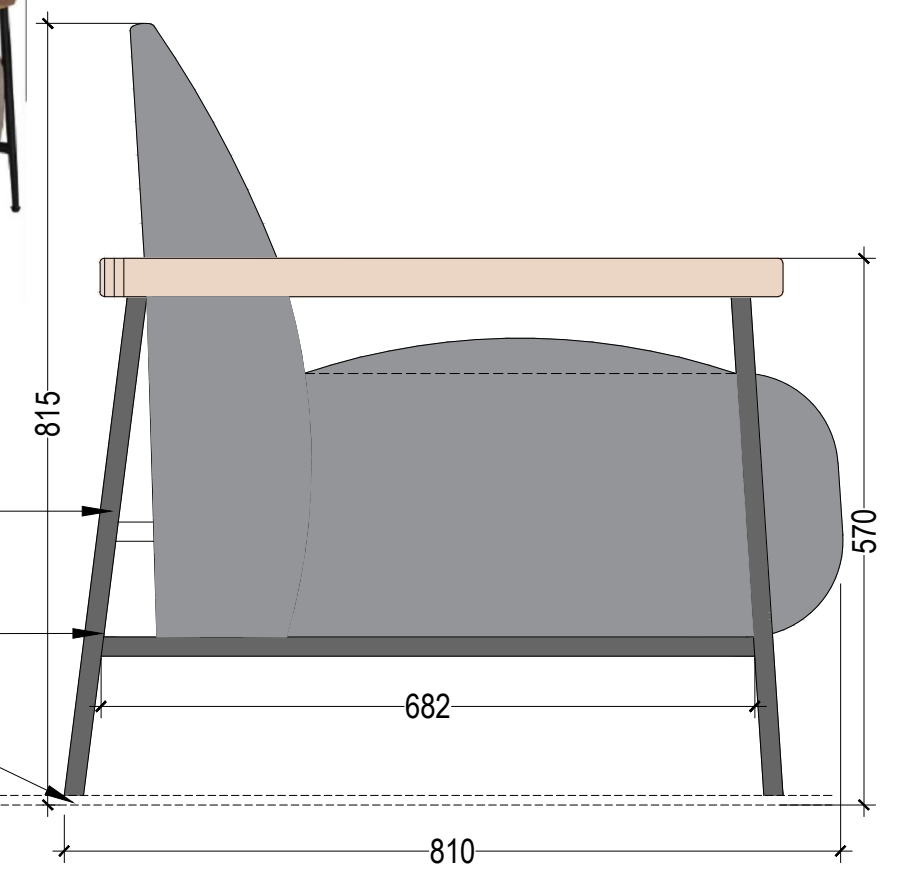
PROTOTYPE NO. OF PIECES - 01)



REFERENCE IMAGES ONLY

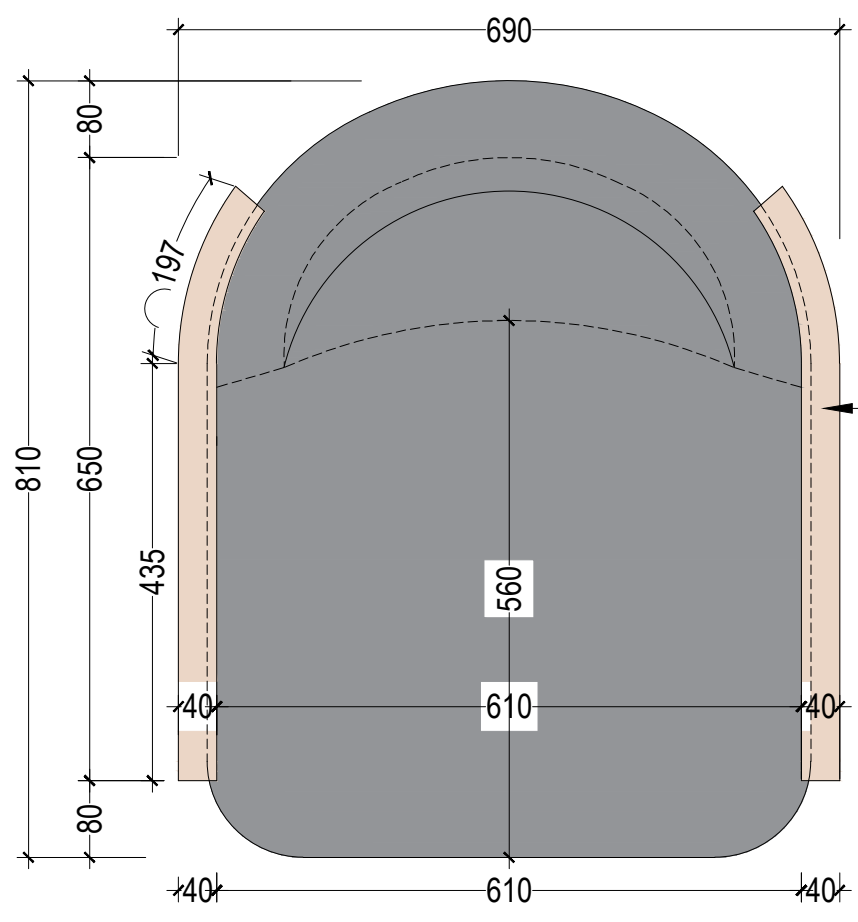


FRONT VIEW



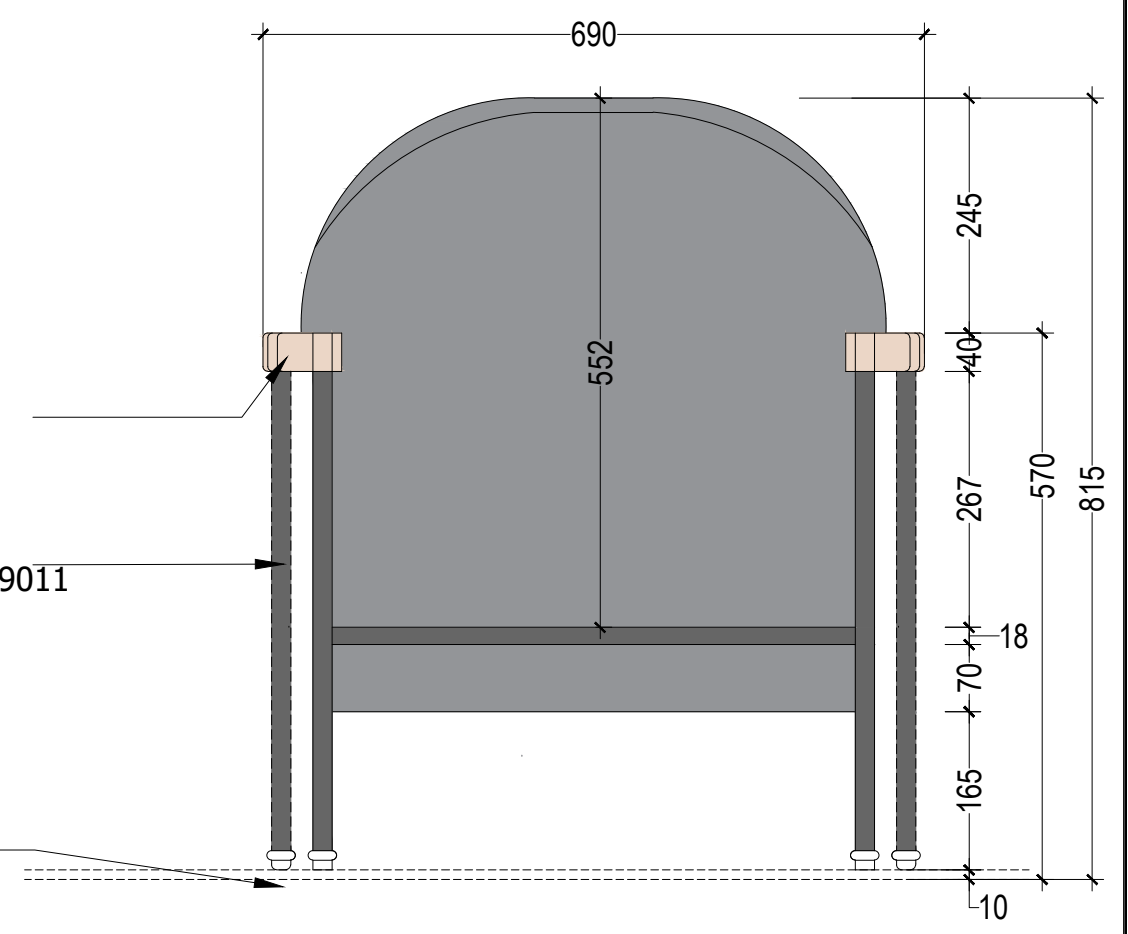
SIDE VIEW

SF- 13_ CODE - 922
DESIGN KENZI
LEG - 20MM THK.ROUND AS PER SELECTION
10MM SPACE FOR BUFFER



TOP VIEW

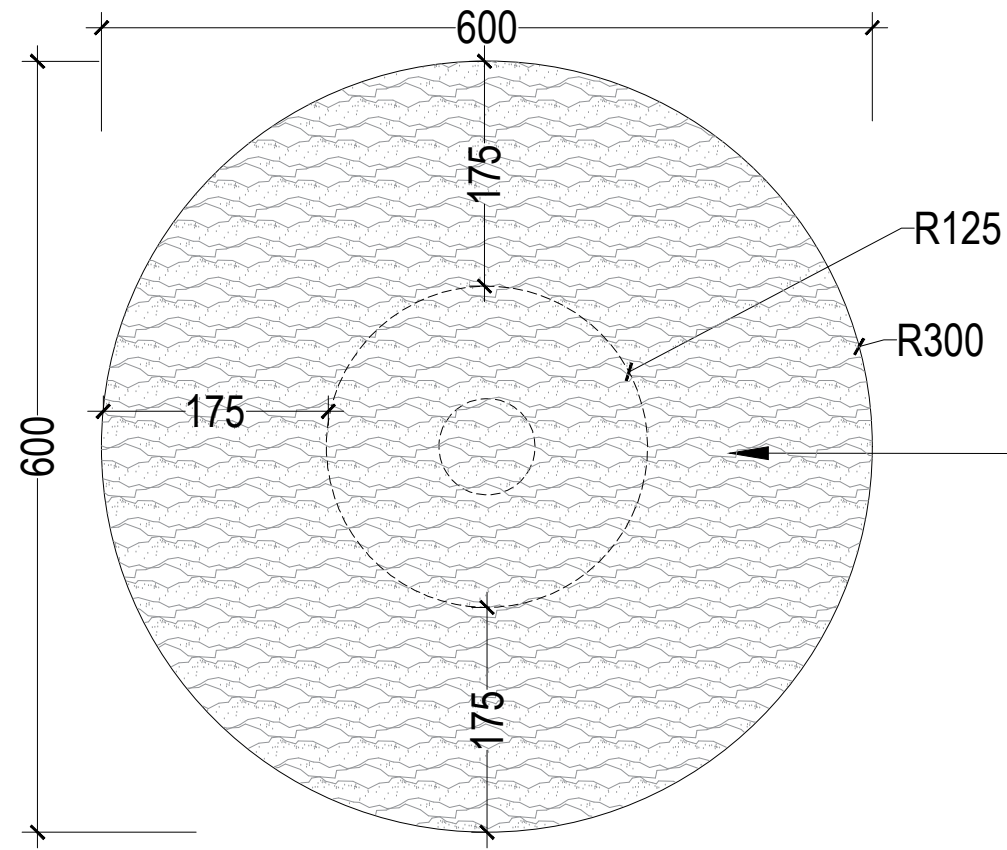
ARM - SOLID ASHWOOD WITH NATURAL
POLISH AS PER SELECTION
LEG - METAL LEGS WITH BLACK COLOUR
PVD COATING BLACK MATT PAINT RAL - 9011
(PT-08)AS PER SELECTION
10MM SPACE FOR BUFFER



REAR VIEW

ITEM CODE: LF - 12)

PROTOTYPE NO. OF PIECES - 01)

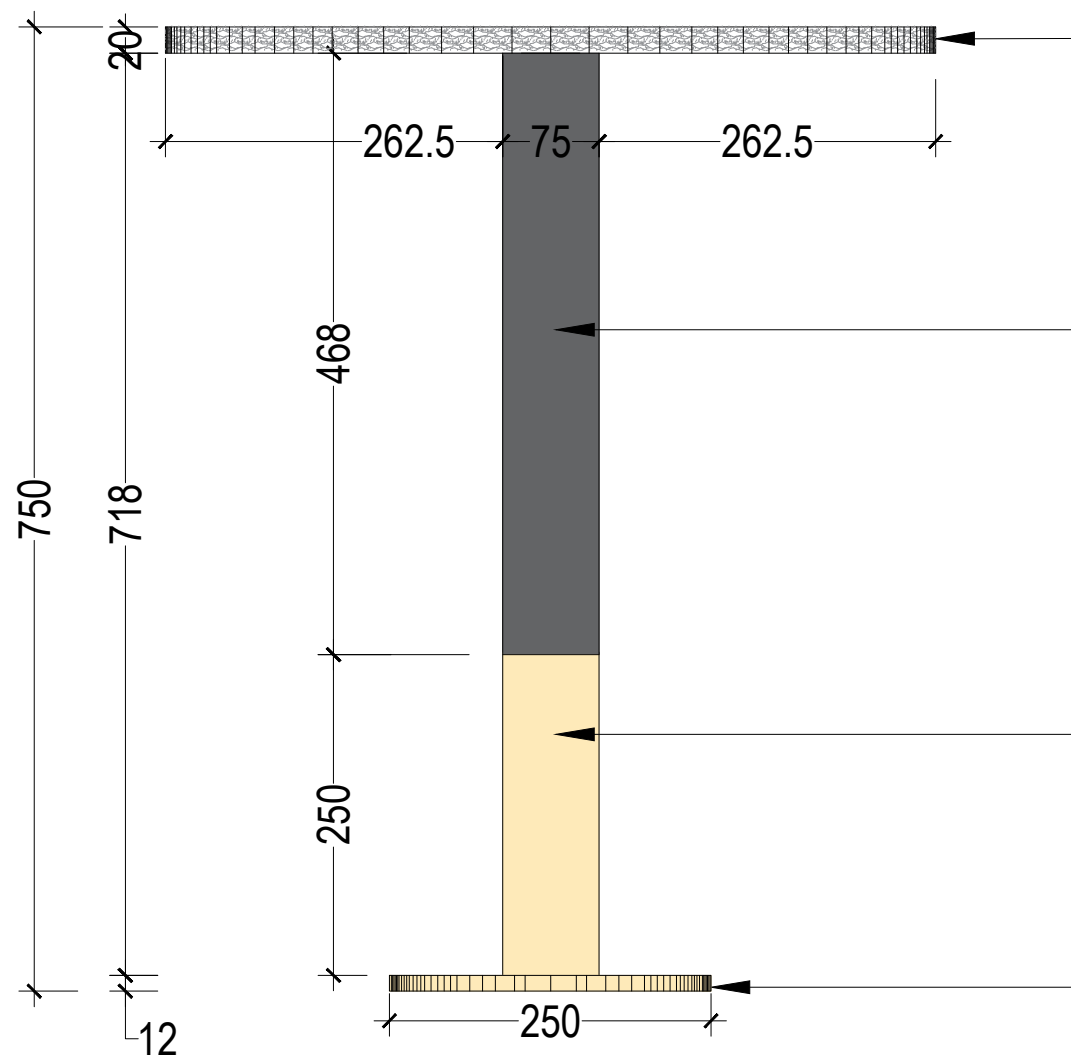


ST-07 - STONE TOP FINISH
 CODE - CARRARA MARBLE AS
 PER SELECTION



REFERENCE IMAGE ONLY

TOP VIEW



20MM THICK STONE AS PER
 APPROVAL

PT-8_METAL ROUND LEG WITH BLACK
 MATT PAINT
 CODE - RAL-9011 GRAPHITE BLACK
 AS PER SELECTION

PT - 9_METAL ROUND LEG_DULL
 GOLDEN PVD COATING AS PER SELECTION

PT- 9_BOTTOM ROUND PLATE 12 MM THK.
 AS PER APPROVAL

FRONT ELEVATION